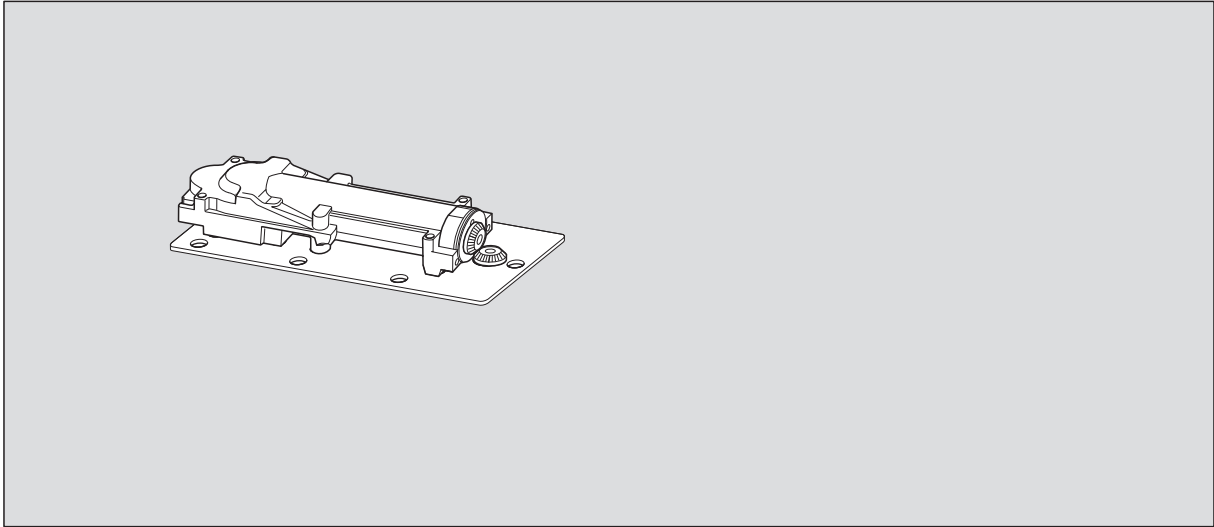
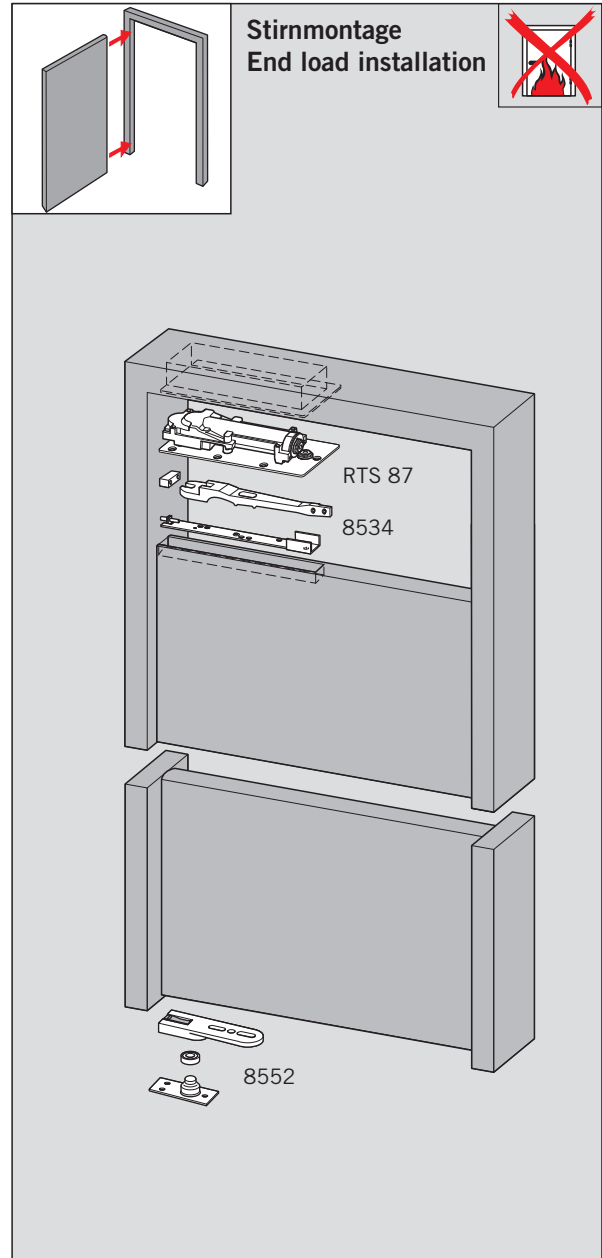
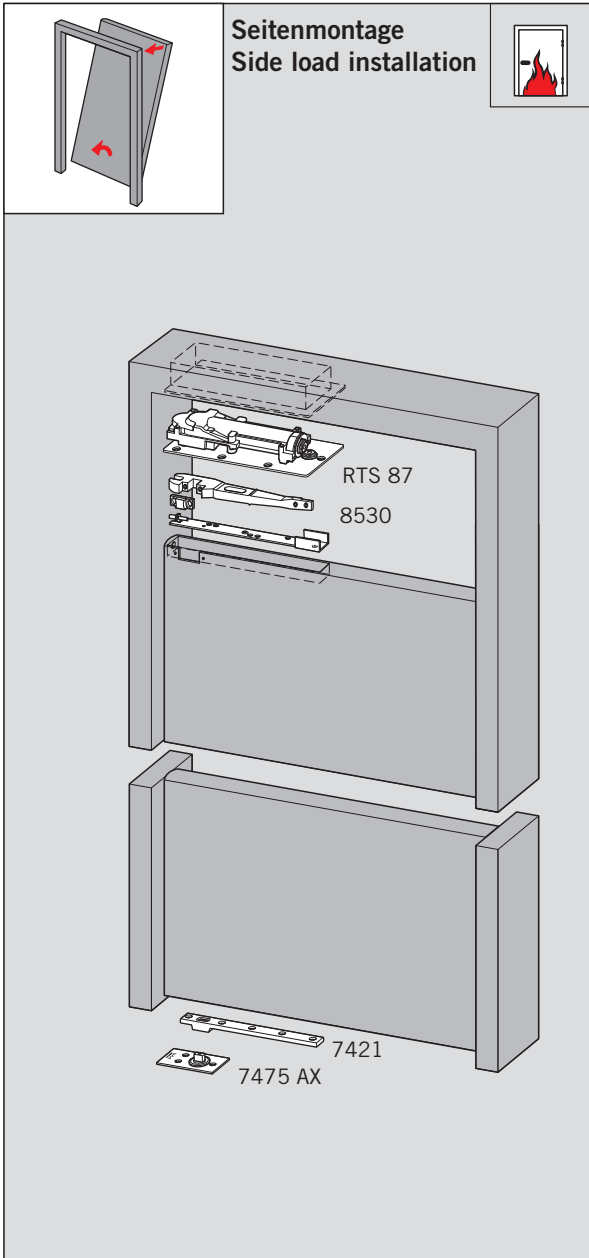
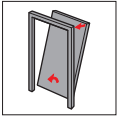
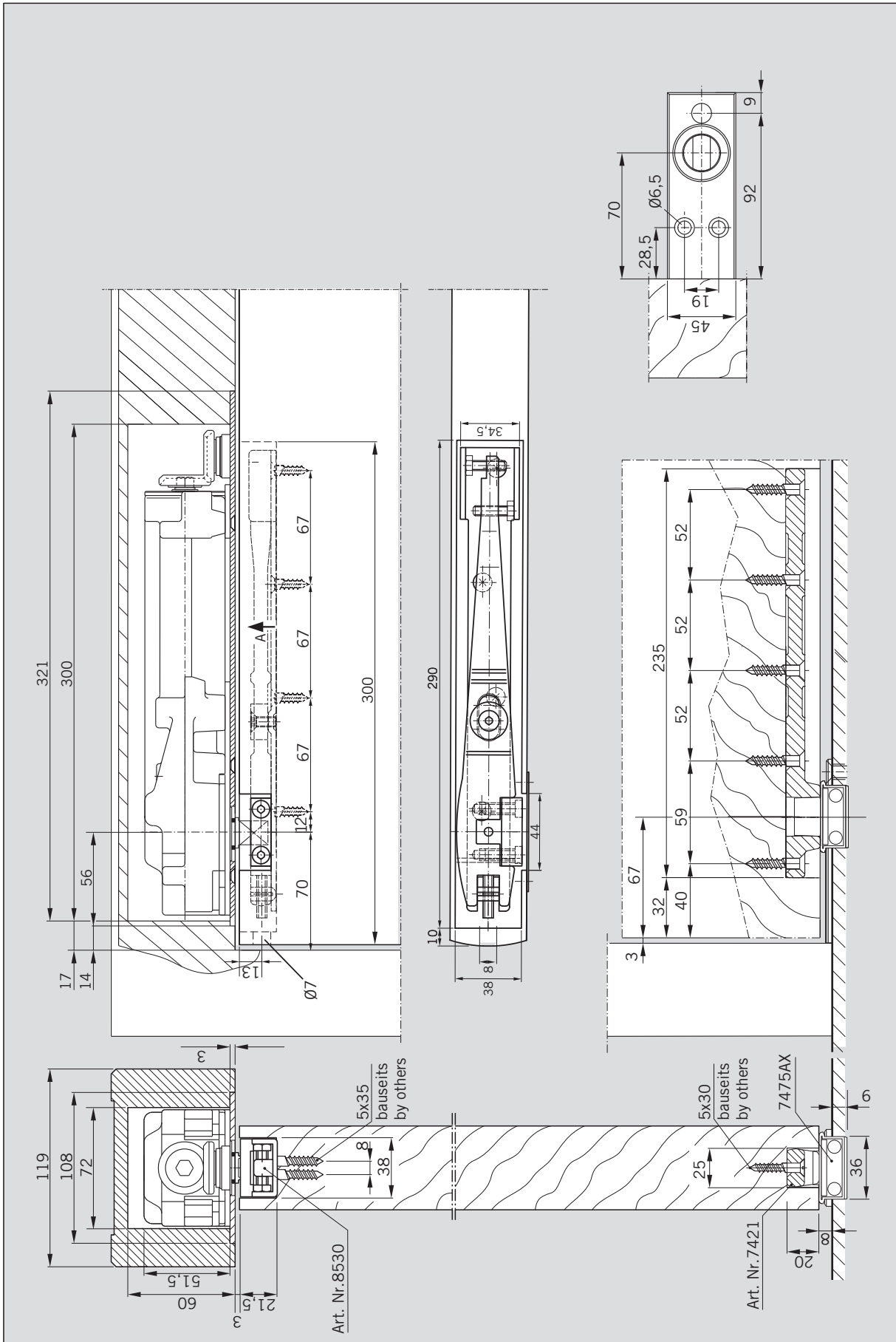


WN 058349 45532, 11/12



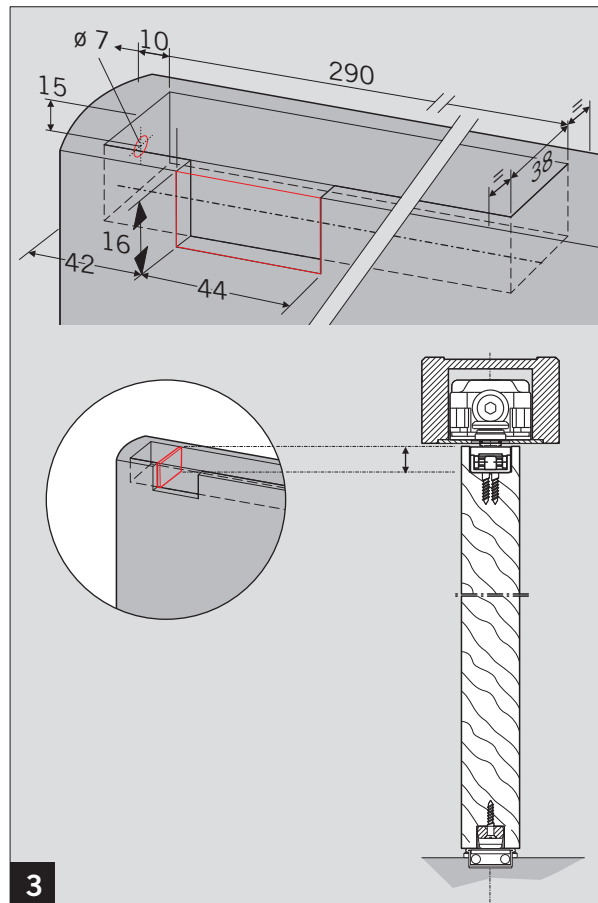
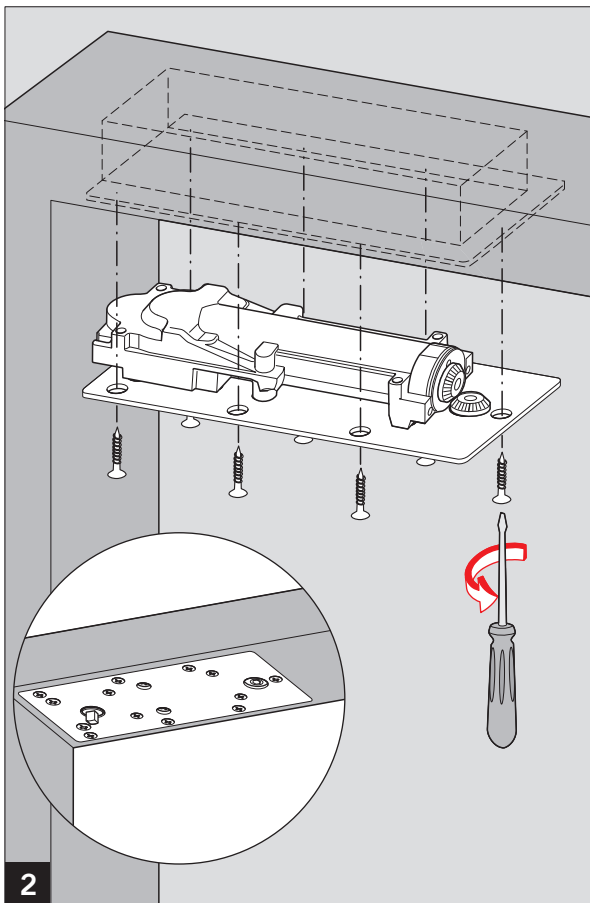
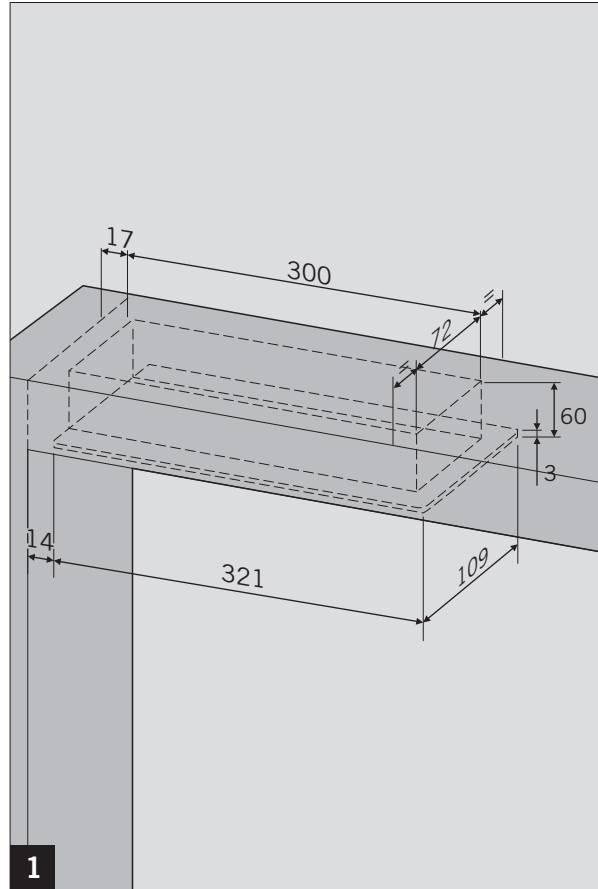
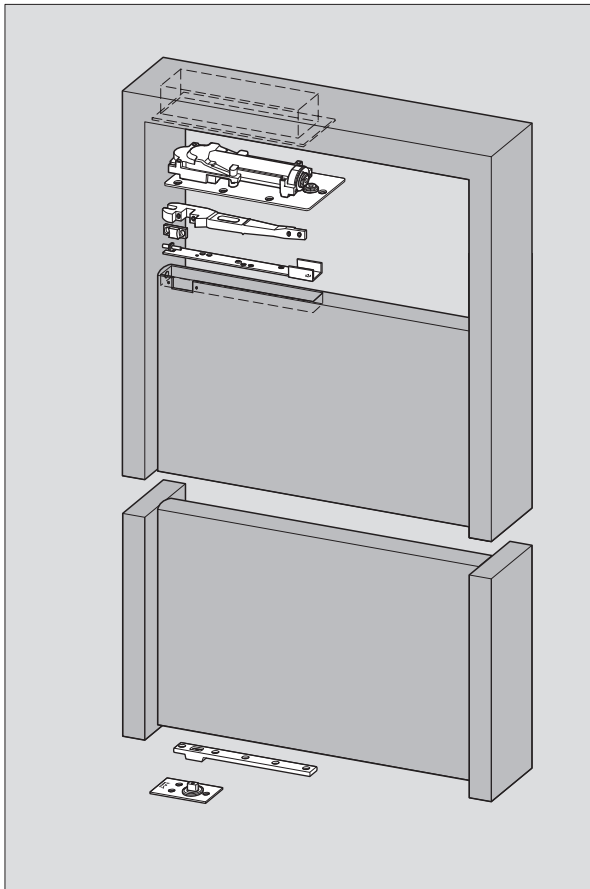
CE	DORMA GmbH + Co. KG		05	
	Postfach 4009 58 247 Ennepetal			
0432 - BPR-0076	EN 1154:1996+A1:2002	3 8	1-4	1 1 4
Dangerous substances: None				

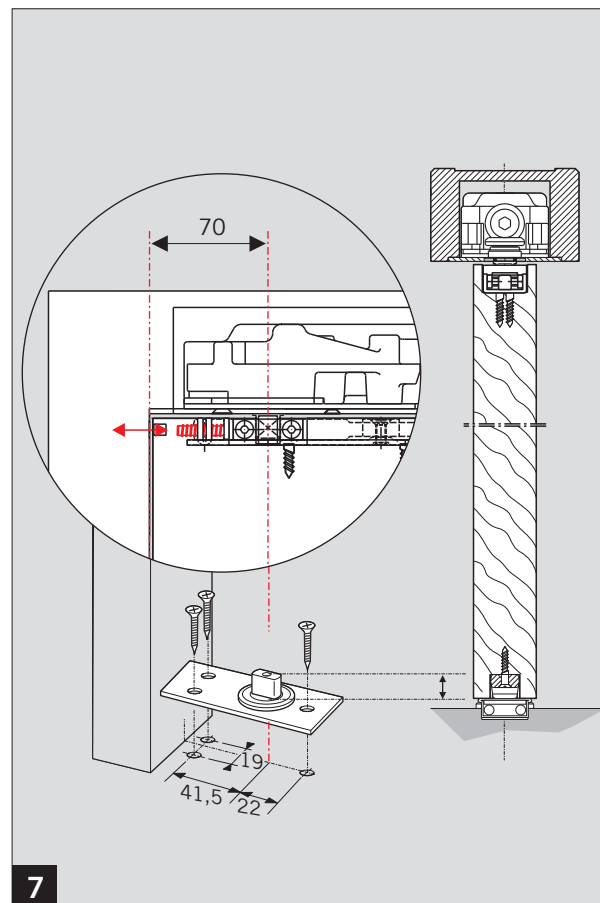
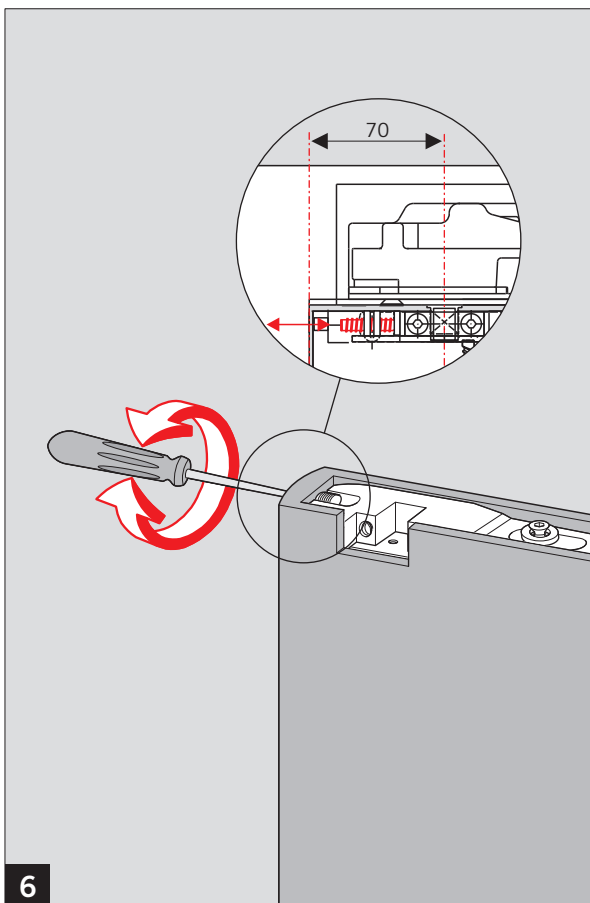
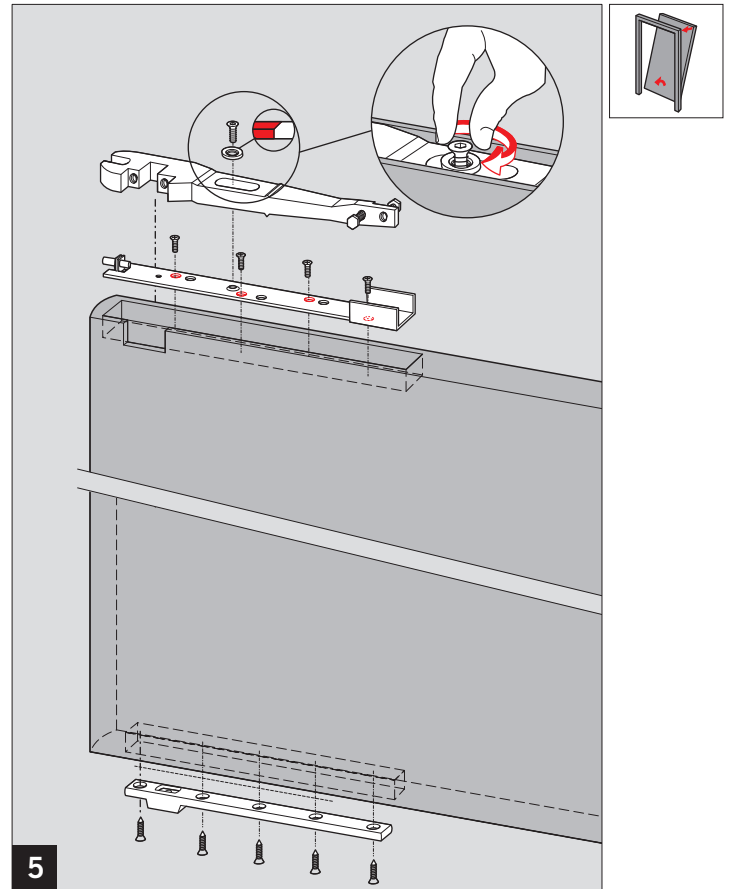
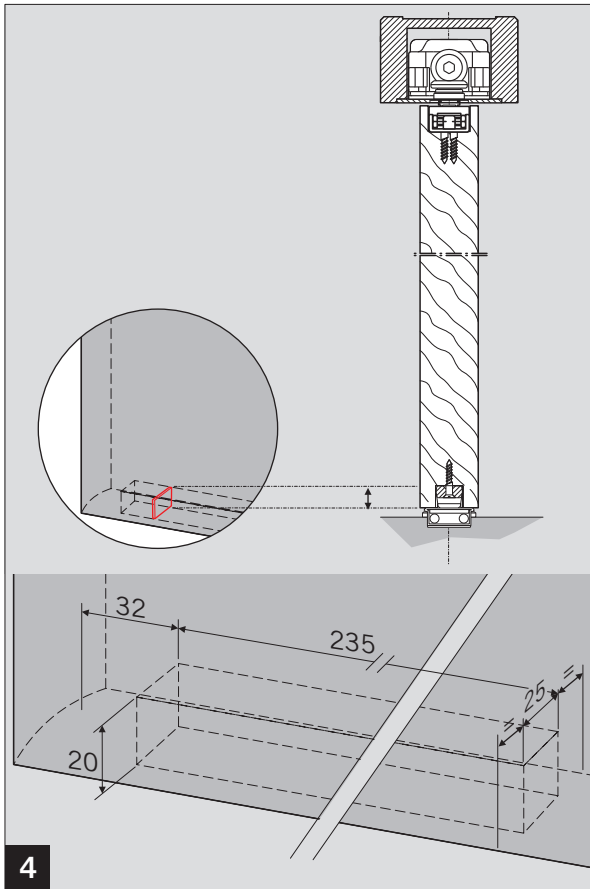


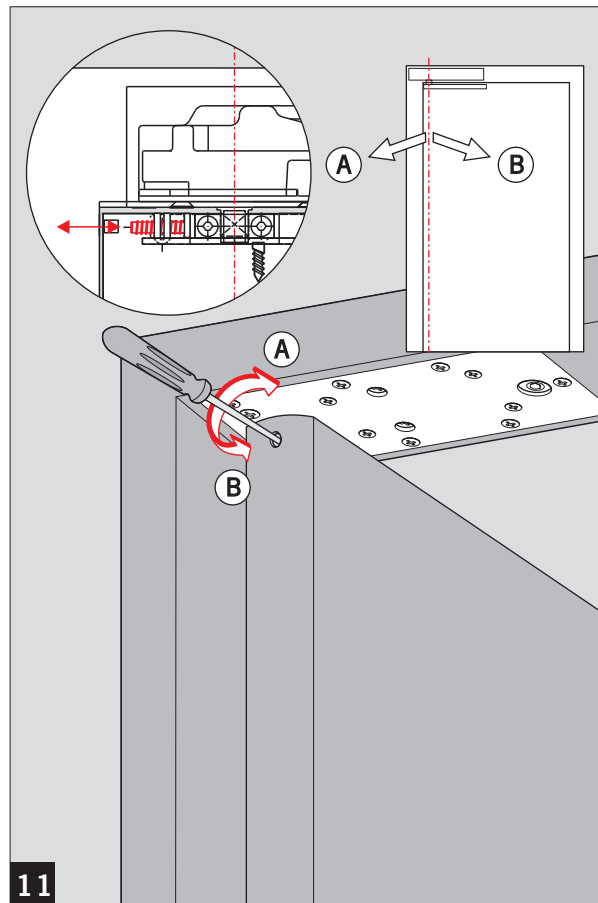
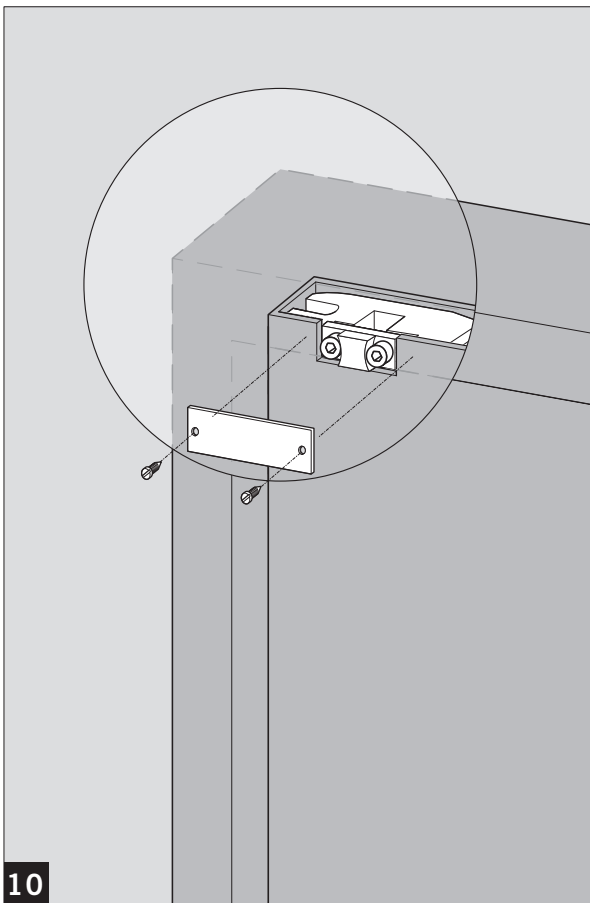
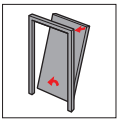
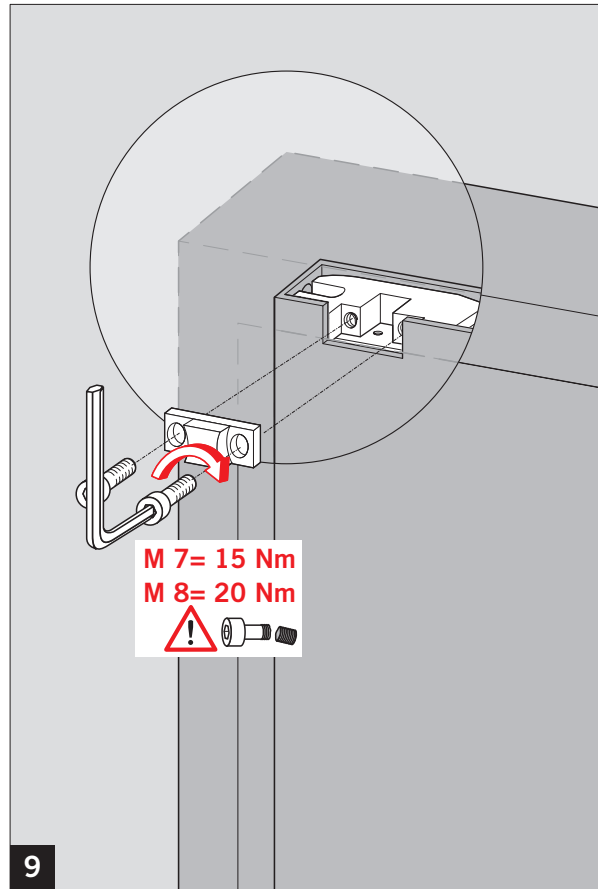
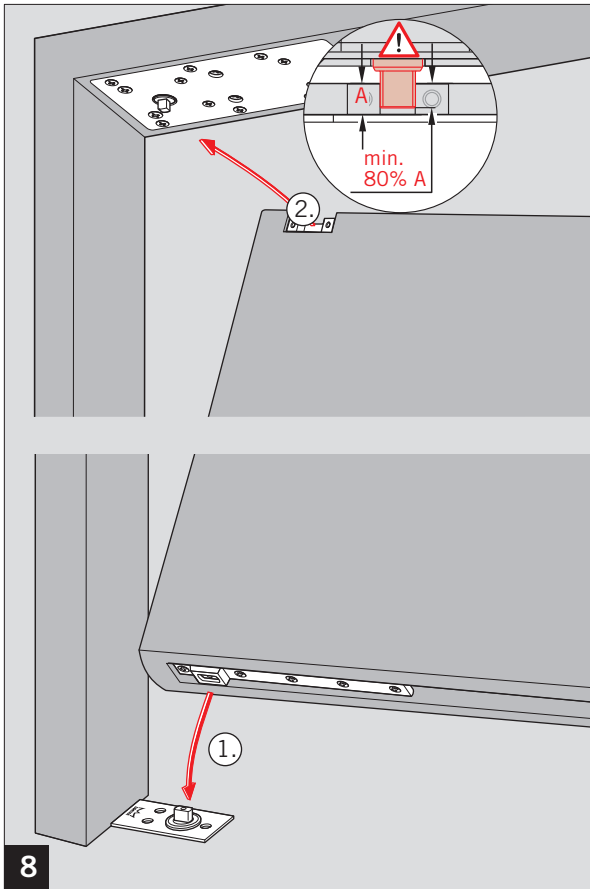


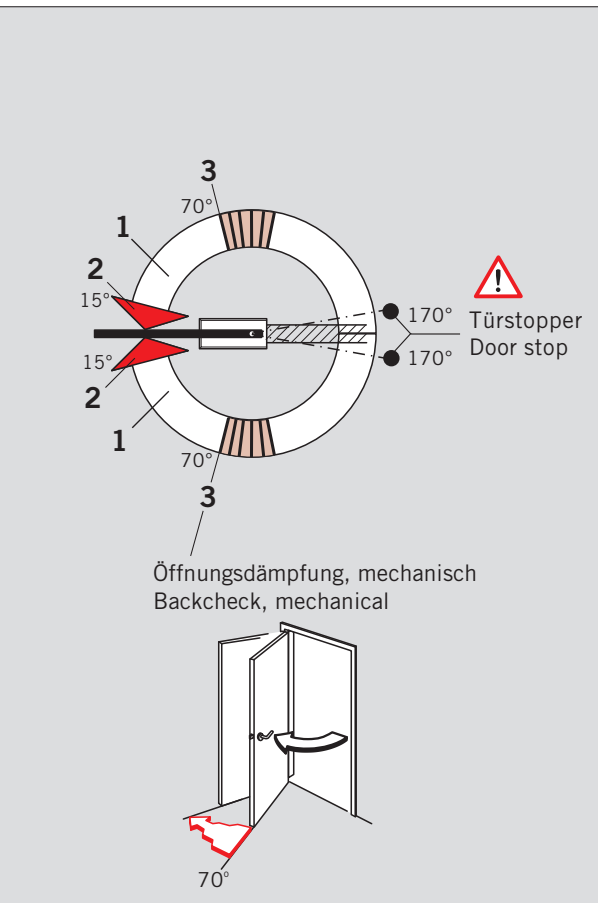
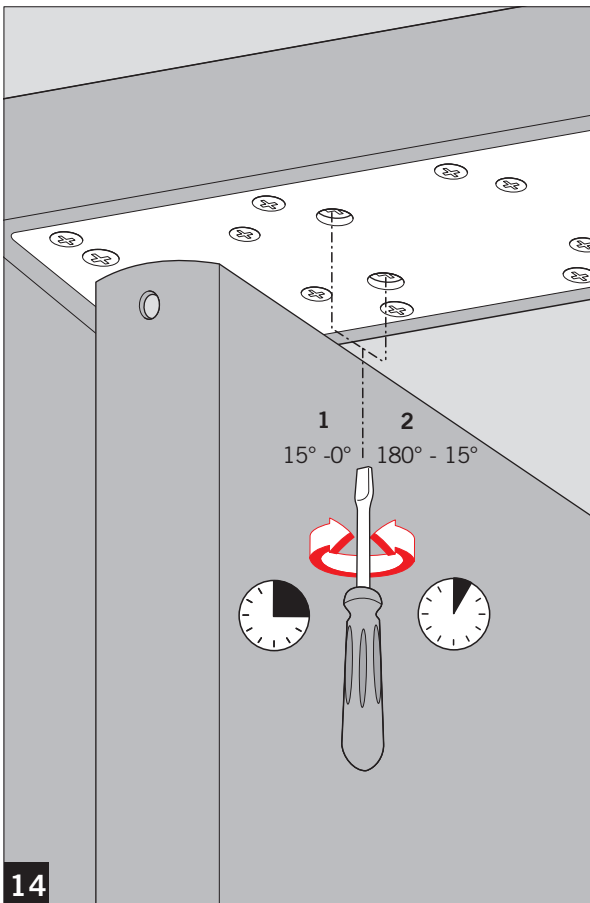
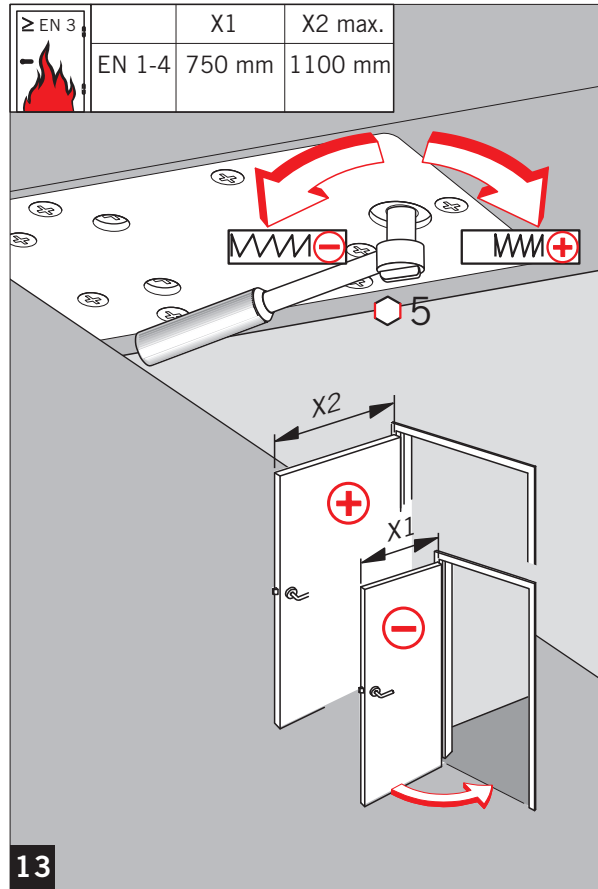
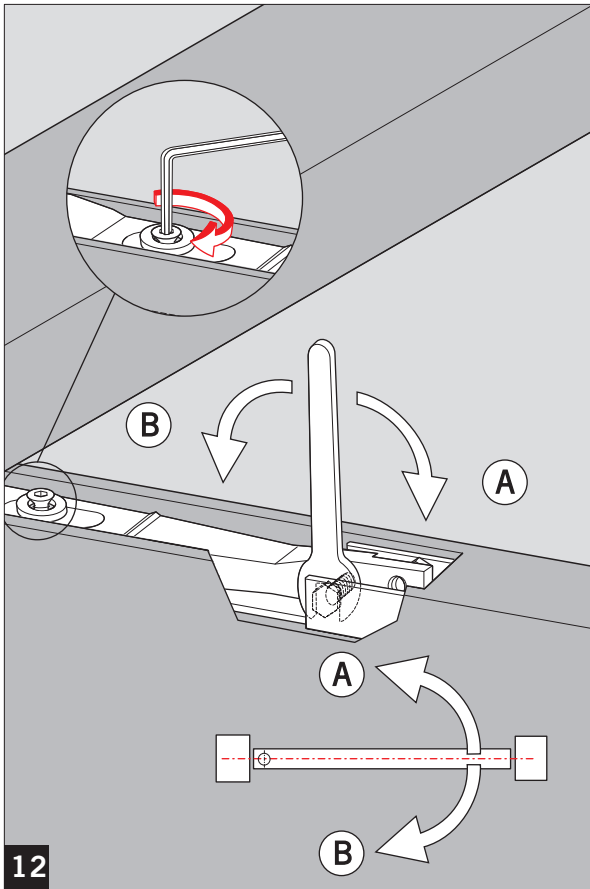
RTS 87

Seitenmontage / Side load installation



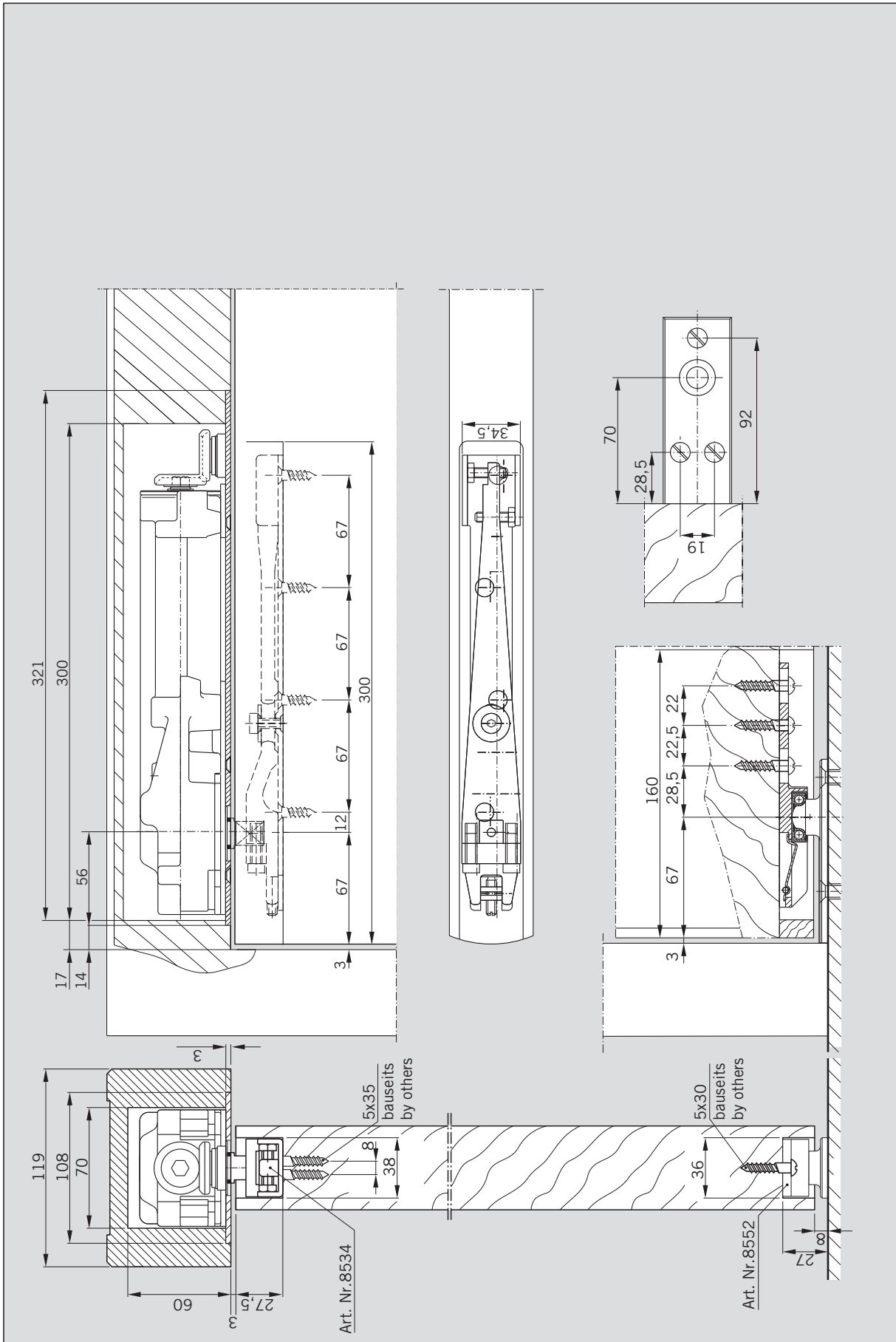
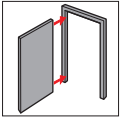






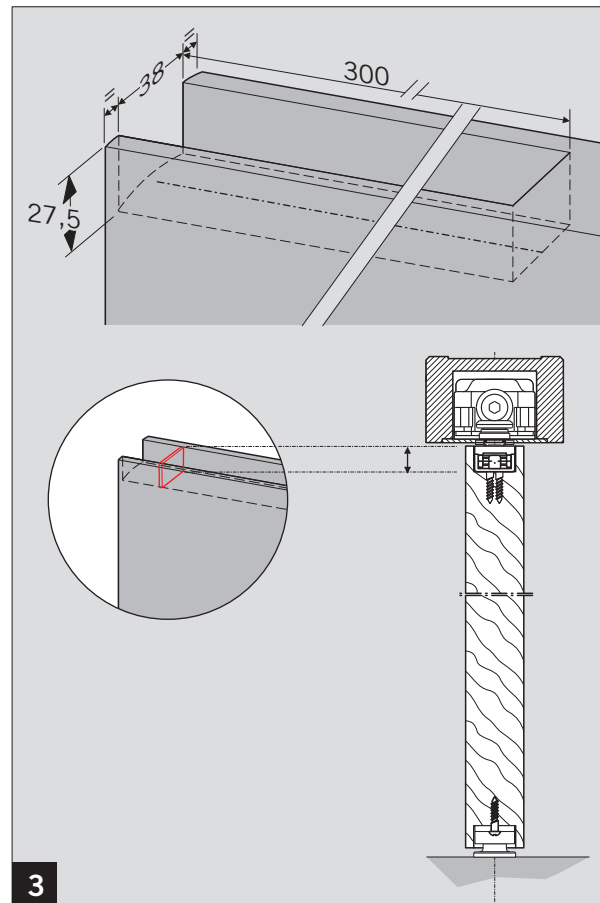
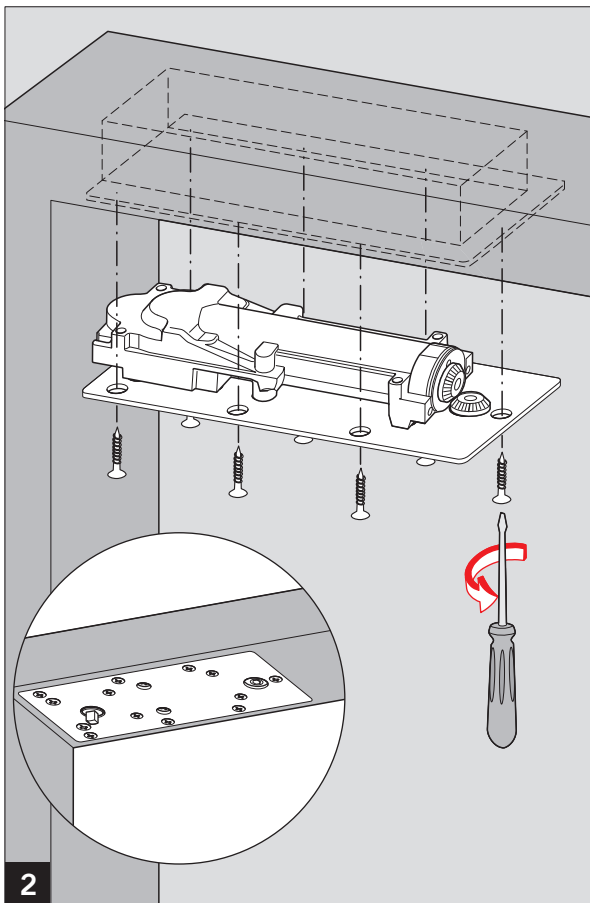
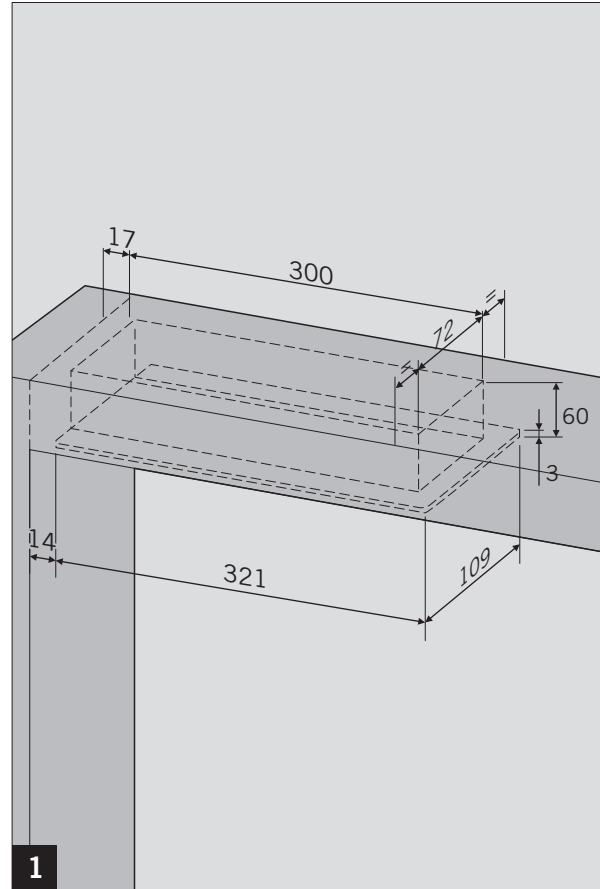
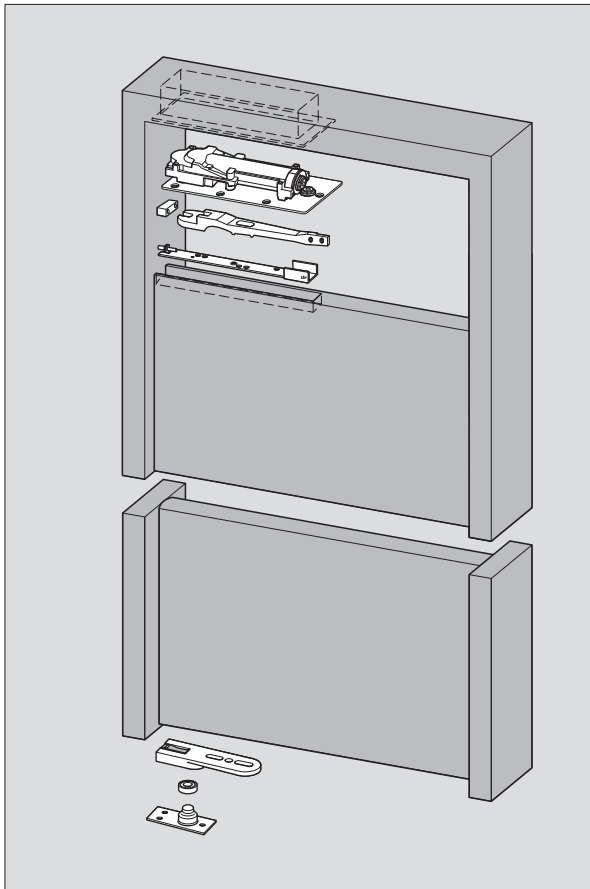
RTS 87

Stirnmontage / End load installation



RTS 87

Stirmanlage / End load installation



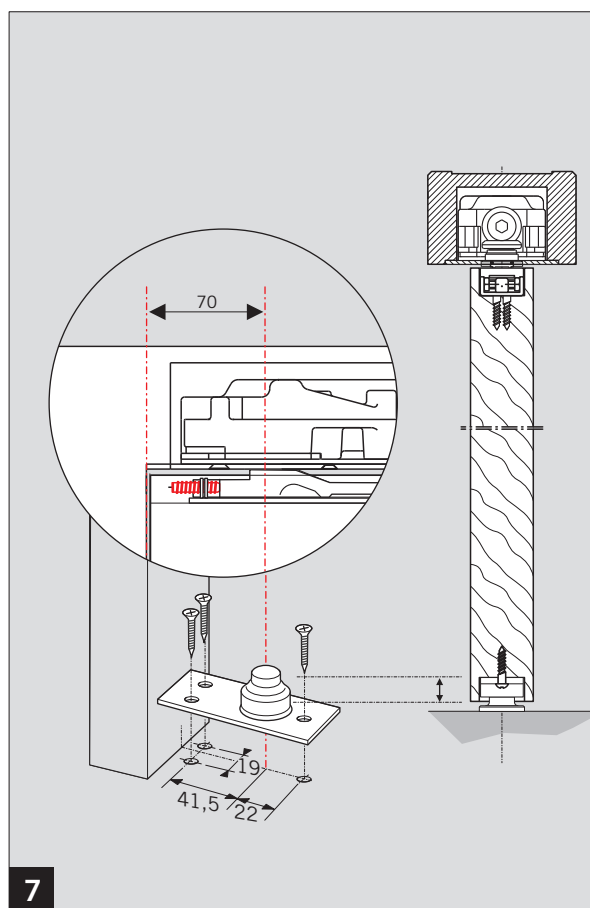
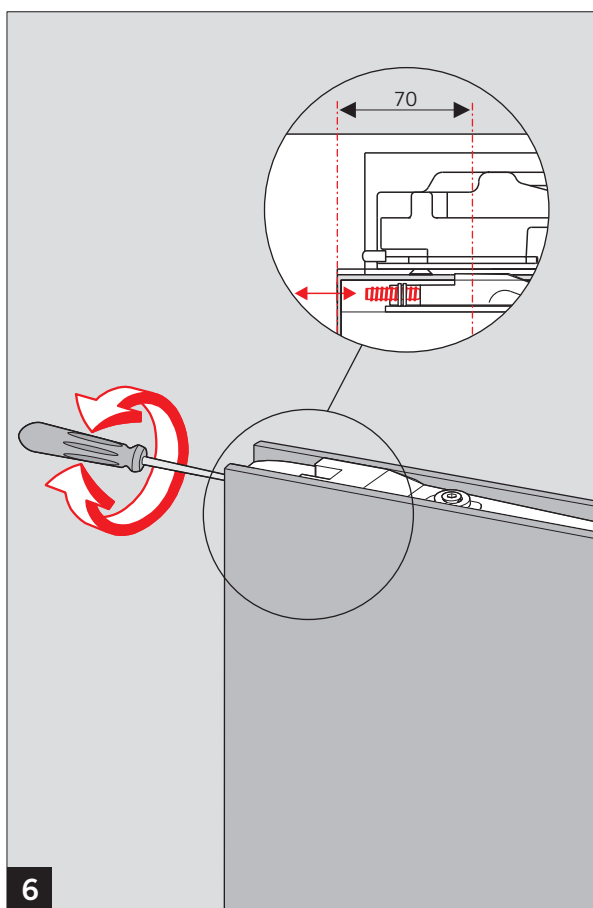
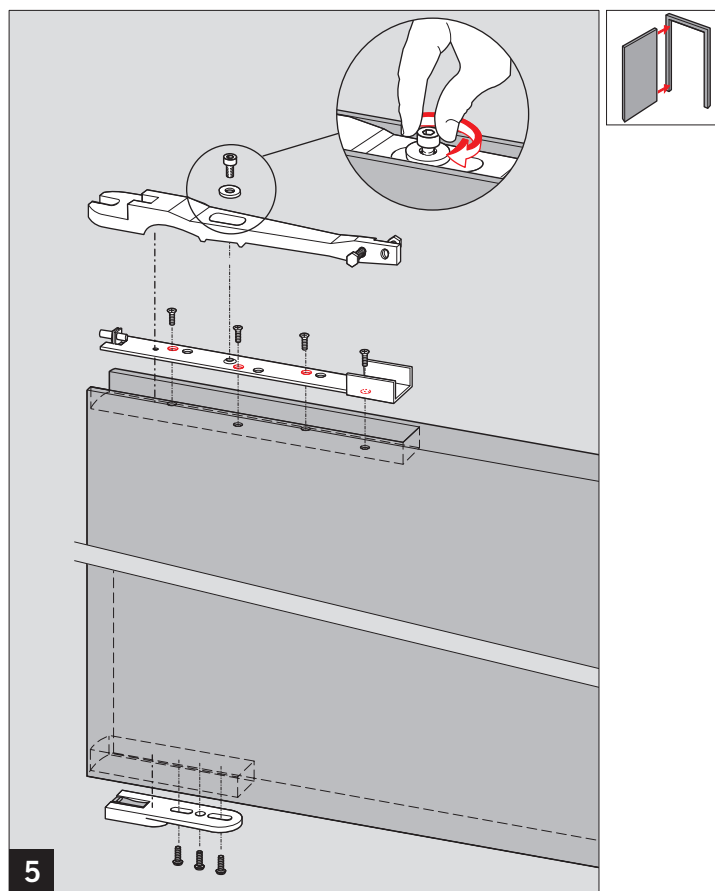
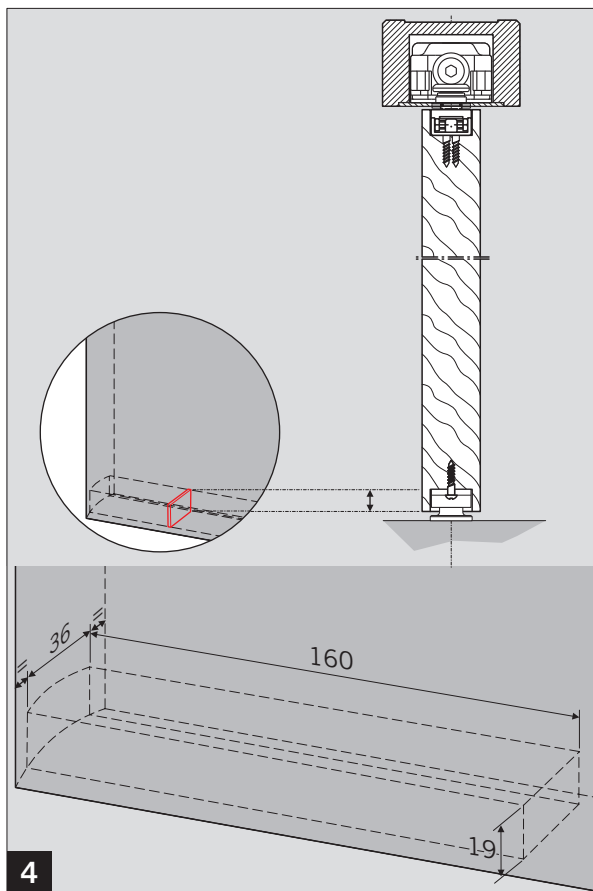
RTS 87

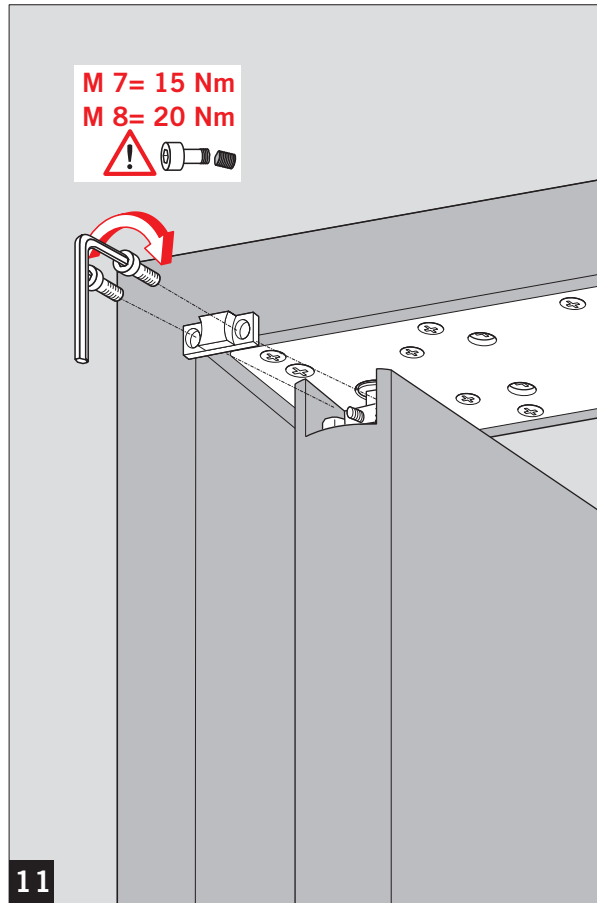
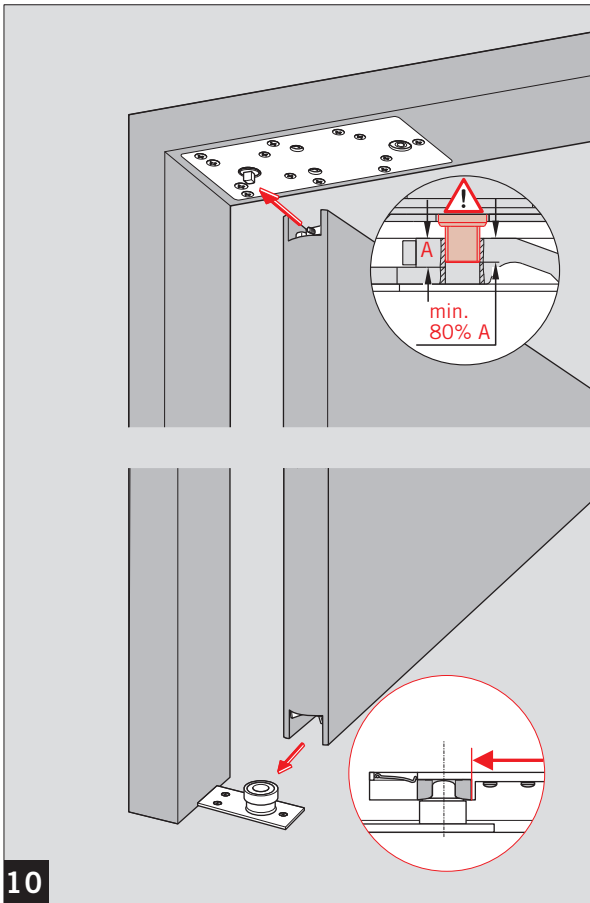
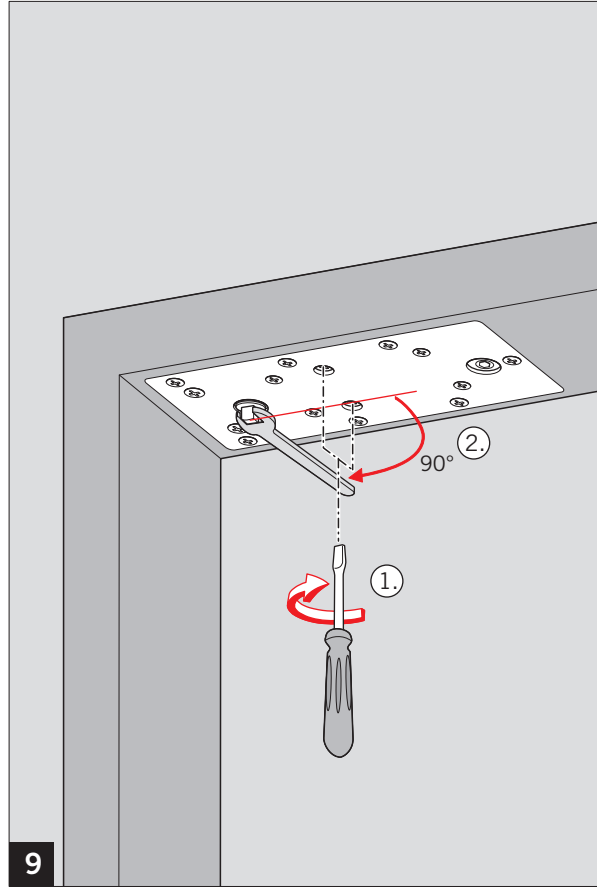
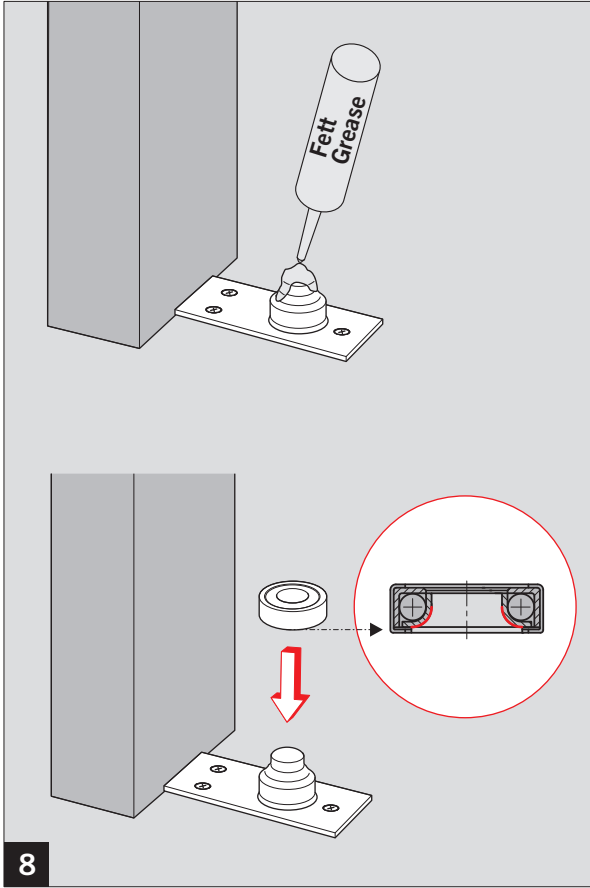
—

Stirnmontage / End load installation

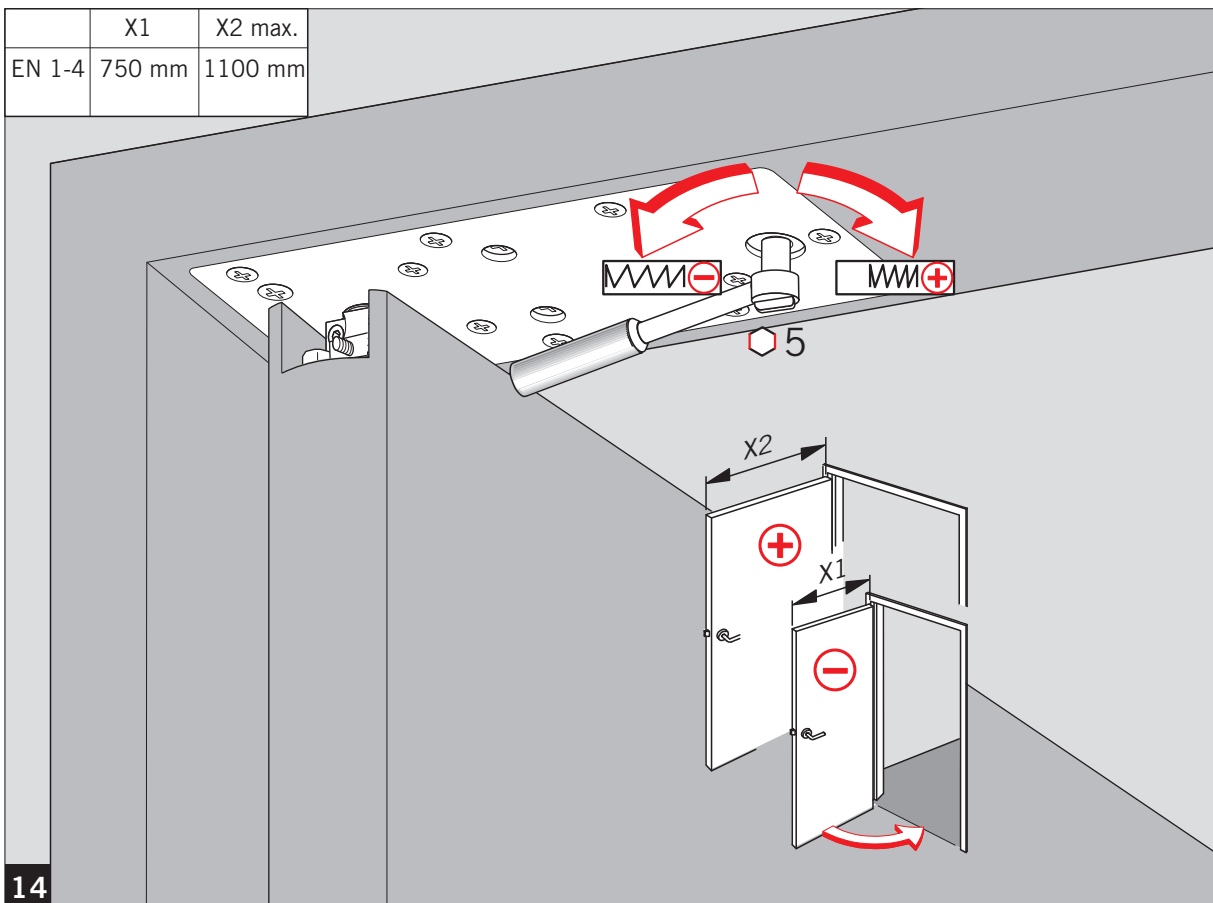
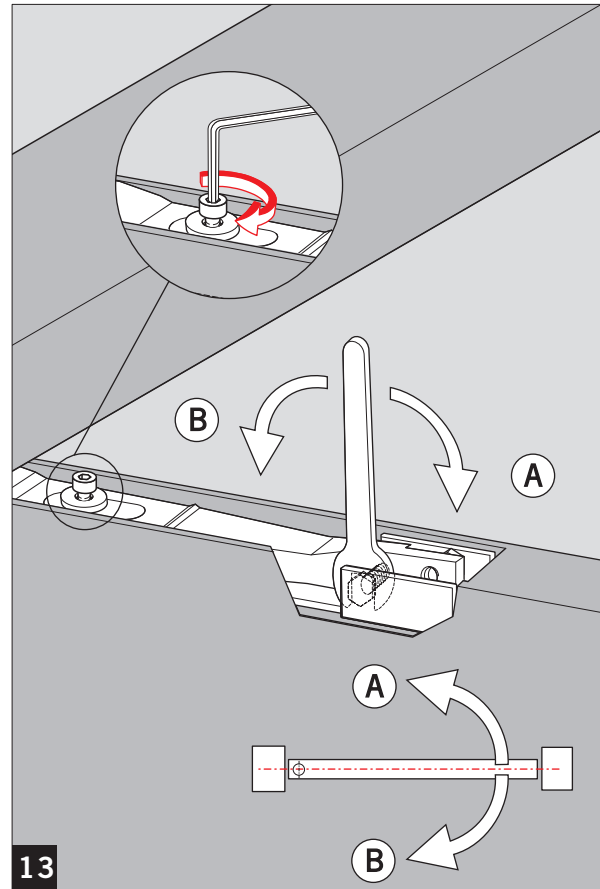
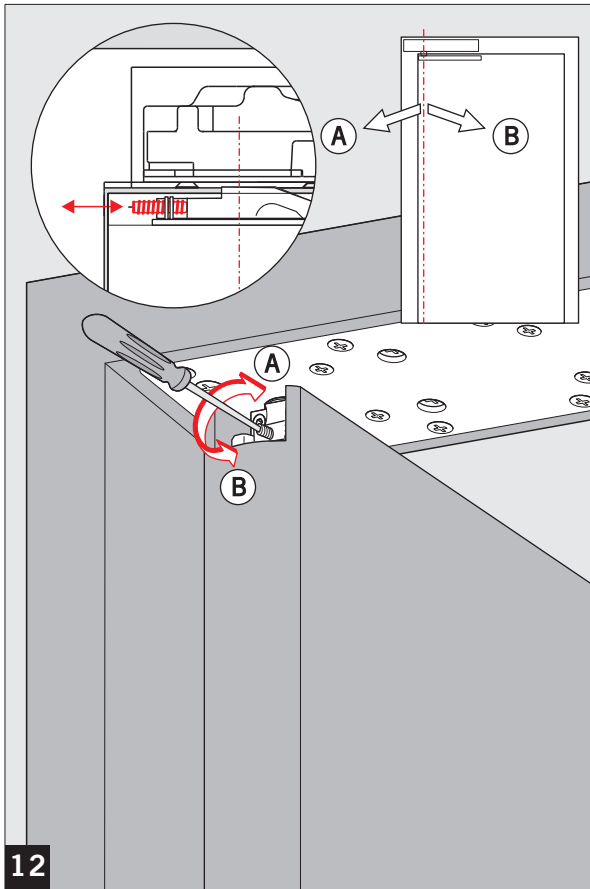
BJ WALLER

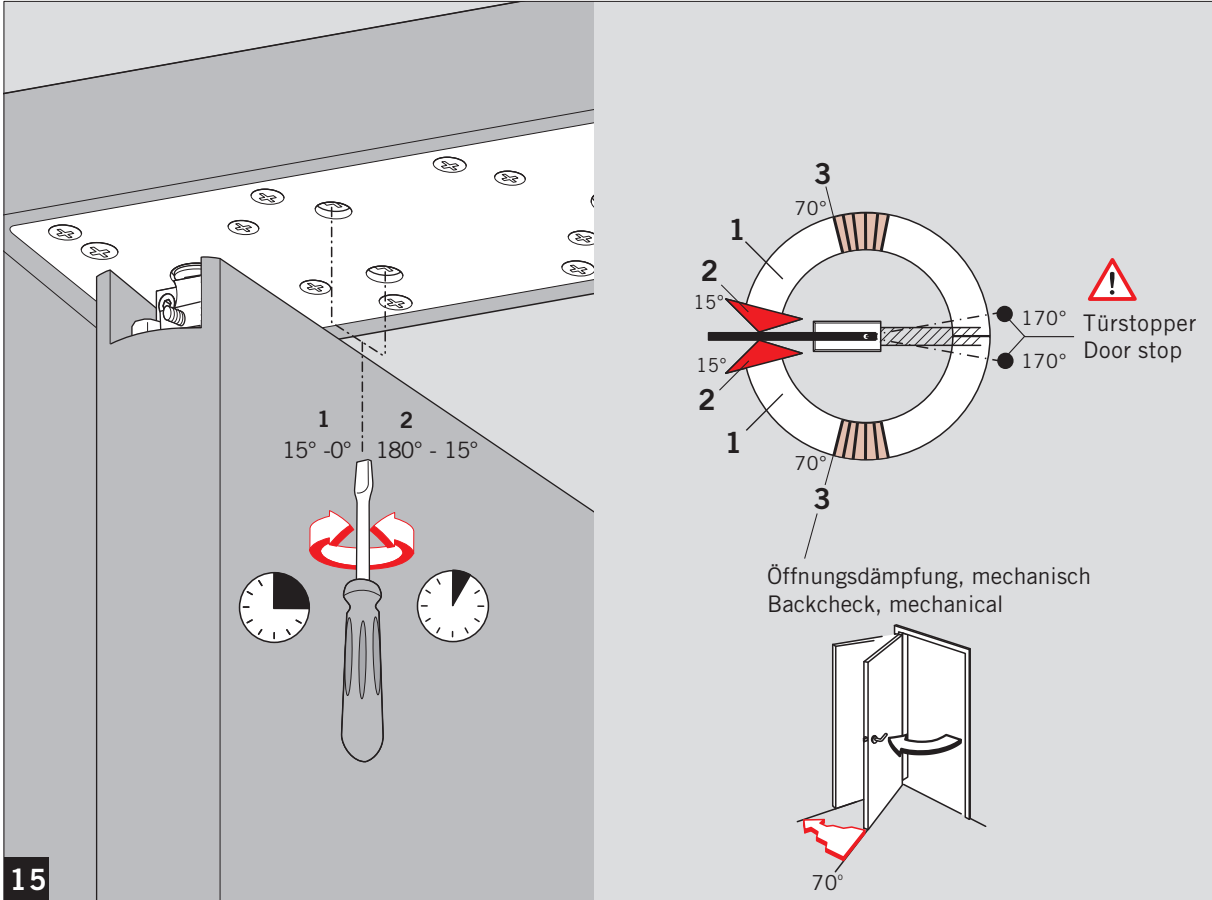
ARCHITECTURAL IRONMONGERS





Stirnmontage / End load installation





15